

Technical data**Dimensions**

| | | |
|--------|------|----|
| Height | 85.0 | cm |
| Width | 59.5 | cm |
| Depth | 51.0 | cm |

Weight

| | | |
|-----------------|----|----|
| without packing | 72 | kg |
|-----------------|----|----|

Main connection

| | | |
|-------------------|-----|----|
| Voltage | 230 | V |
| Frequency | 50 | Hz |
| Power consumption | 2.3 | kW |
| Fuse rating | 10 | A |

Drum

| | | |
|---------------------|-----|-----|
| Volume | 42 | l |
| Wash spin | 54 | rpm |
| Speed spinning max. | 500 | rpm |

Capacity of dry laundry

| | | |
|-------------------------|-----|----|
| Cotton/coloured laundry | 4.5 | kg |
| Easy care | 2.0 | kg |
| Delicate | 1.5 | kg |
| Wool | 1 | kg |

Pressostat**Quantity of water washing**

| | | |
|-------------------------|------|---|
| Cotton/coloured laundry | 6 | l |
| Easy care | 6 | l |
| Delicate | 16.5 | l |
| Wool | 16.5 | l |
| Overflow | 30 | l |

Quantity of water rinse

| | | |
|-------------------------|----|---|
| Cotton/coloured laundry | 16 | l |
| Easy care | 16 | l |
| Delicate | 16 | l |
| Wool | 16 | l |
| Overflow | 30 | l |

Nominal current

| | | |
|-----------|--------|---|
| Contacts: | | |
| 11 - 12 | 4 (4) | A |
| 11 - 14 | 16 (4) | A |
| 11 - 16 | 1 (1) | A |

| | |
|------------------|----------------------|
| Contacts system: | |
| 11-12-14 | jump contacts |
| 11 - 16 | slow action contacts |

Door lock

| | | |
|-------------------------|-----------|----------|
| Lock time | 3" - 6" | (20°C) |
| Unlock time | 60" - 90" | |
| Nominal voltage | 230 | V |
| Nominal current contact | 4 - 5 | 16 (4) A |

Heating element

| | | |
|---------------------------|------------------------------------|---|
| Kind of heating | Tubular heating element with fuses | |
| Nominal voltage | 230 | V |
| Nominal power | 2050 | W |
| Heat conductor resistance | 24.1 | Ω |

Inlet valve

| | | |
|--------------------------|----------|----------|
| Water temperature max. | 60 | °C |
| Rated flow | < 1 bar | 8 l/min. |
| Pressure range | 0.5-10 | bar |
| Nominal voltage | 220-240V | |
| Frequency | 50 | Hz |
| Starting voltage | < 6 bar | 160 V |
| | 6-10 bar | 170 V |
| Nominal current | 35 | mA |
| Nominal power | 6 | VA |
| Nominal resistor(20°C) | 4060 | Ω |

Drain pump (synchronous)

| | | |
|-------------------------|-----|-----------|
| Nominal voltage | 230 | V |
| Nominal current | 0.3 | A |
| Nominal consumption | 34 | W |
| Frequency | 50 | Hz |
| Resistor (coil) | 162 | Ω ±7% |
| Motor protection | no | |
| capacity (1.25m height) | 14 | l/min. ±2 |

Technical data**Program timer**

| | | |
|-----------------|--|----|
| Typ | Electromechanical timer with time system | |
| Fab. | EC 4522 (Timer 1 a) | |
| Nominal voltage | 230 | V |
| Frequency | 50 | Hz |
| Total positions | 60 | |

Cotton/coloured laundry

| | | |
|-----------|------|---------|
| Pre wash | pos. | 01 - 05 |
| Main wash | pos. | 06 - 19 |
| Rinse | pos. | 20 - 32 |
| Spin | pos. | 33 - 36 |
| Stop | pos. | 37 |

Easy care

| | | |
|-----------|------|---------|
| Pre wash | pos. | 01 - 05 |
| Main wash | pos. | 06 - 19 |
| Rinse | pos. | 20 - 32 |
| Spin | pos. | 33 - 36 |
| Stop | pos. | 37 |

Delicate

| | | |
|-----------|------|---------|
| Pre wash | pos. | - |
| Main wash | pos. | 38 - 46 |
| Rinse | pos. | 47 - 55 |
| Spin | pos. | 56 - 59 |
| Stop | pos. | 60 |

Wool

| | | |
|-----------|------|---------|
| Pre wash | pos. | - |
| Main wash | pos. | 40 - 46 |
| Rinse | pos. | 47 - 55 |
| Spin | pos. | 56 - 59 |
| Stop | pos. | 60 |

Output

| | | |
|-------------|------------|--------|
| motor | | |
| - reversing | A2-D12/C12 | 230 V |
| - spin | A2-D11 | 230 V |
| pump | A4-B2 | 230 V |
| doorlock | A8-B12 | 230 V |
| pressostat | A4-B3 | 230 V |
| - empty | A4-B4 | 230 V |
| - full | A4-C3 | 230 V |
| valve | B2-B8 | >170 V |

Motor

| | | | |
|---------------------|----------------|-----|------------------|
| Typ | 2/16 - 158/ Wh | | |
| | i = 1 : 7.9 | | |
| Resistance contacts | | | |
| | 1 - 2 | 80 | $\Omega \pm 7\%$ |
| | 1 - 3 | 41 | $\Omega \pm 7\%$ |
| | 1 - 4 | 80 | $\Omega \pm 7\%$ |
| | 1 - 5 | 175 | $\Omega \pm 7\%$ |
| | 2 - 4 | 94 | $\Omega \pm 7\%$ |

Radio interference supression

| | | |
|--------------------|-------------------|------------|
| Condenser Friburg | Typ | FA 26 |
| Nominal voltage | 230 | V |
| Nominal capacity | 100nFX1+2x0.22nFY | |
| Nominal resistance | 1.00 | M Ω |

Motor capacitor

| | | |
|-----------------|-----|---------------|
| Capacity | 16 | μF |
| Nominal voltage | 450 | V |

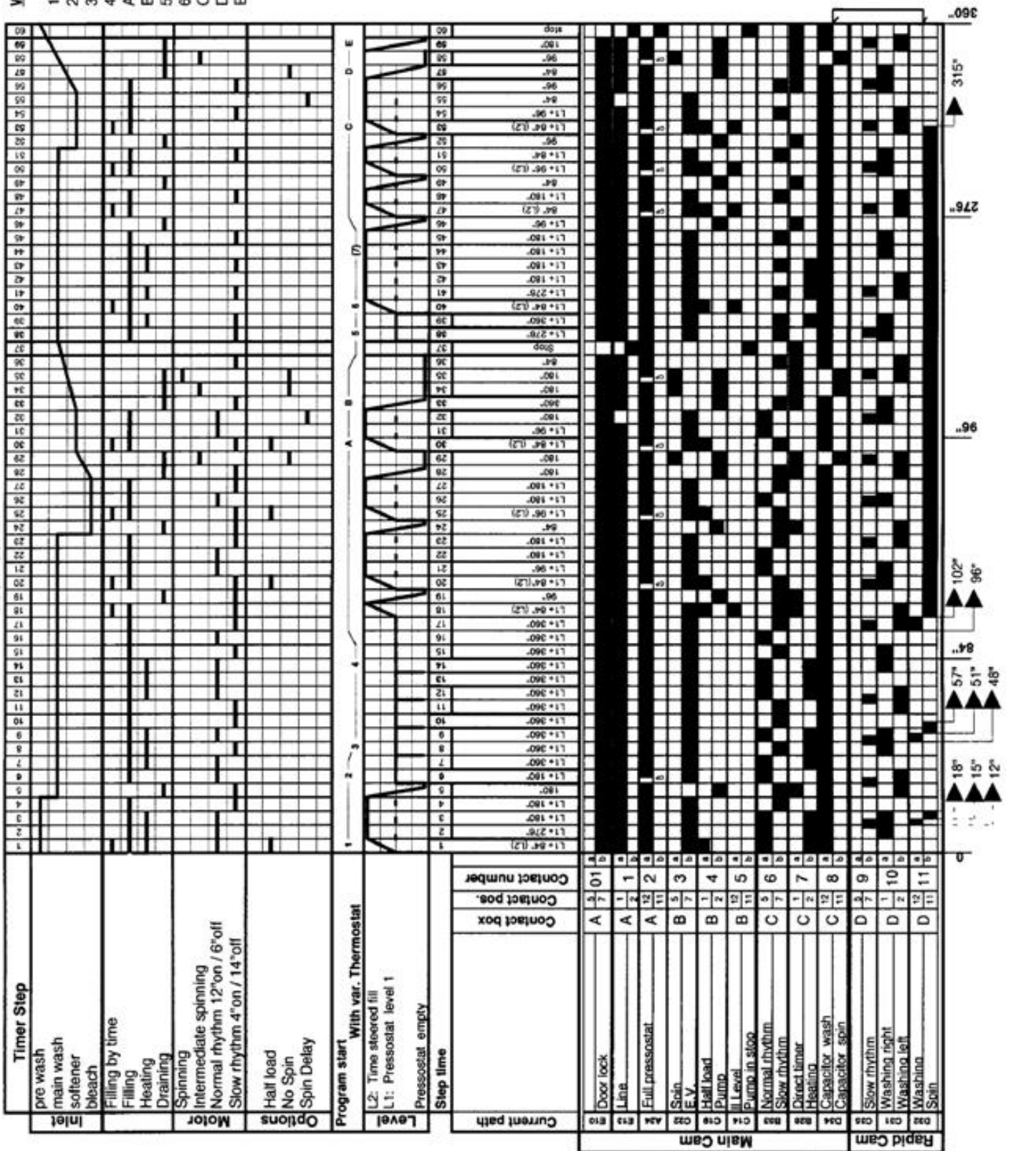
Variable thermostat

| | | |
|-------------------|--------|--------------------|
| Nominal voltage | 230 | V |
| Nominal current | 16 (4) | A |
| Temperature range | 28-80 | $^{\circ}\text{C}$ |

Push botton switch

| | |
|------------|-----|
| Start stop | SM |
| 1/2 load | SHL |
| Rinse hold | SRS |
| No spin | SNS |

230V 50Hz.



With variable temperature

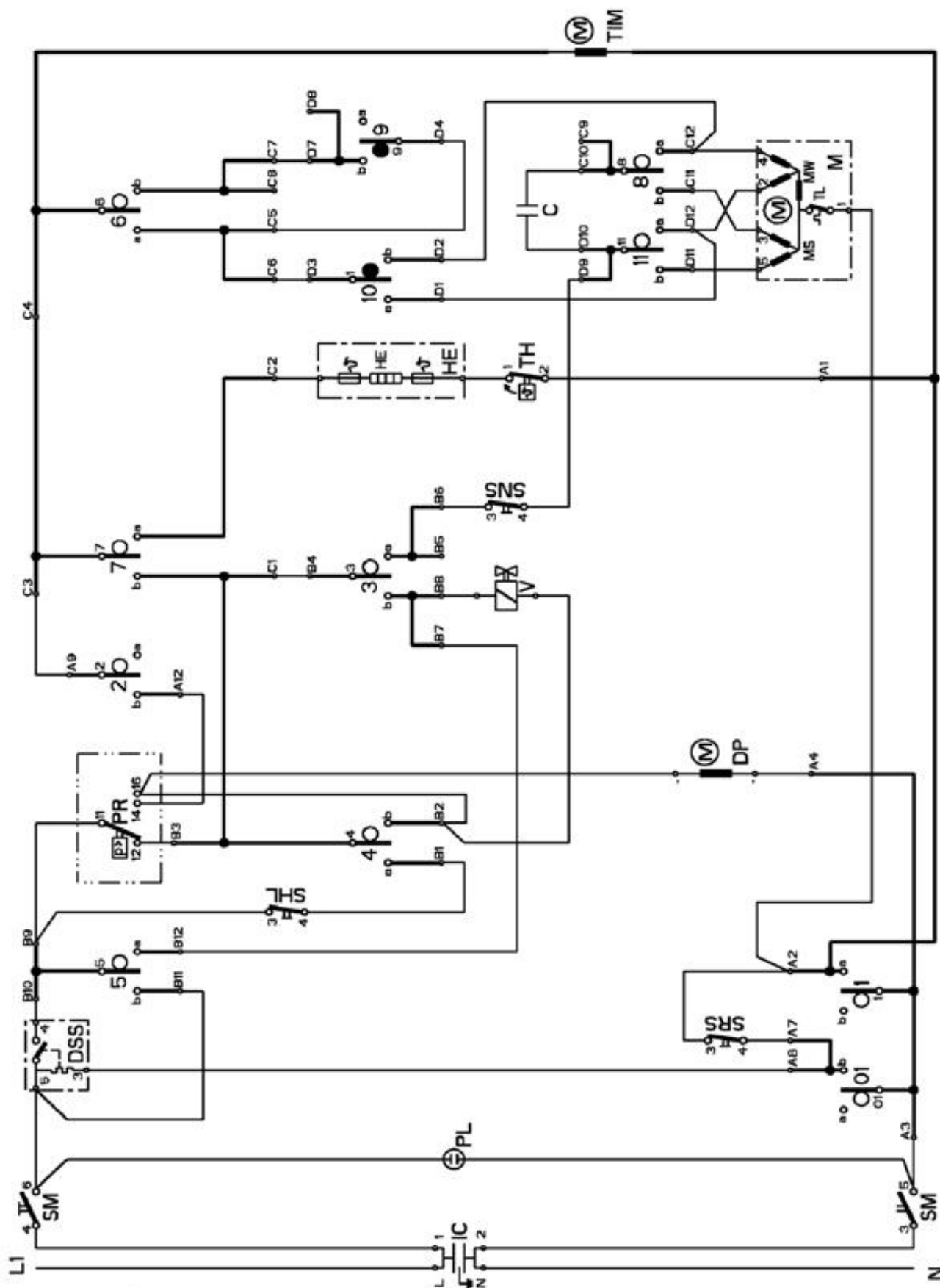
- 1 Cotton with prewash (Cold - 40 - 60 - 95°C)
- 2 Cotton without prewash (Cold - 40 - 60 - 95°C)
- 3 Easy Care (Cold - 40 - 60°C)
- 4 Cotton (Cold - 40°C) - SHORT
- A Rinse + Spin
- B Spin
- 5 Delicate 40°C
- 6 Wool 30°C
- C Rinse + Gentle Spin
- D Gentle Spin
- E Draining

| Timer Step | pre wash | main wash | softener | bleach | Filling by time | Filling | Heating | Draining | Spinning | Intermediate spinning | Normal rhythm 12"on / 6"off | Slow rhythm 4"on / 14"off | Half load | No Spin | Spin Delay |
|------------|----------|-----------|----------|--------|-----------------|---------|---------|----------|----------|-----------------------|-----------------------------|---------------------------|-----------|---------|------------|
| 0 | | | | | | | | | | | | | | | |
| 1 | | | | | | | | | | | | | | | |
| 2 | | | | | | | | | | | | | | | |
| 3 | | | | | | | | | | | | | | | |
| 4 | | | | | | | | | | | | | | | |
| 5 | | | | | | | | | | | | | | | |
| 6 | | | | | | | | | | | | | | | |
| 7 | | | | | | | | | | | | | | | |
| 8 | | | | | | | | | | | | | | | |
| 9 | | | | | | | | | | | | | | | |
| 10 | | | | | | | | | | | | | | | |
| 11 | | | | | | | | | | | | | | | |
| 12 | | | | | | | | | | | | | | | |
| 13 | | | | | | | | | | | | | | | |
| 14 | | | | | | | | | | | | | | | |
| 15 | | | | | | | | | | | | | | | |
| 16 | | | | | | | | | | | | | | | |
| 17 | | | | | | | | | | | | | | | |
| 18 | | | | | | | | | | | | | | | |
| 19 | | | | | | | | | | | | | | | |
| 20 | | | | | | | | | | | | | | | |
| 21 | | | | | | | | | | | | | | | |
| 22 | | | | | | | | | | | | | | | |
| 23 | | | | | | | | | | | | | | | |
| 24 | | | | | | | | | | | | | | | |
| 25 | | | | | | | | | | | | | | | |
| 26 | | | | | | | | | | | | | | | |
| 27 | | | | | | | | | | | | | | | |
| 28 | | | | | | | | | | | | | | | |
| 29 | | | | | | | | | | | | | | | |
| 30 | | | | | | | | | | | | | | | |
| 31 | | | | | | | | | | | | | | | |
| 32 | | | | | | | | | | | | | | | |
| 33 | | | | | | | | | | | | | | | |
| 34 | | | | | | | | | | | | | | | |
| 35 | | | | | | | | | | | | | | | |
| 36 | | | | | | | | | | | | | | | |
| 37 | | | | | | | | | | | | | | | |
| 38 | | | | | | | | | | | | | | | |
| 39 | | | | | | | | | | | | | | | |
| 40 | | | | | | | | | | | | | | | |
| 41 | | | | | | | | | | | | | | | |
| 42 | | | | | | | | | | | | | | | |
| 43 | | | | | | | | | | | | | | | |
| 44 | | | | | | | | | | | | | | | |
| 45 | | | | | | | | | | | | | | | |
| 46 | | | | | | | | | | | | | | | |
| 47 | | | | | | | | | | | | | | | |
| 48 | | | | | | | | | | | | | | | |
| 49 | | | | | | | | | | | | | | | |
| 50 | | | | | | | | | | | | | | | |
| 51 | | | | | | | | | | | | | | | |
| 52 | | | | | | | | | | | | | | | |
| 53 | | | | | | | | | | | | | | | |
| 54 | | | | | | | | | | | | | | | |
| 55 | | | | | | | | | | | | | | | |
| 56 | | | | | | | | | | | | | | | |
| 57 | | | | | | | | | | | | | | | |
| 58 | | | | | | | | | | | | | | | |
| 59 | | | | | | | | | | | | | | | |

| Level | Step time |
|------------------------|------------|
| L2: Time steered fill | 11.4 (0.2) |
| L1: Pressostat level 1 | 11.180 |
| Pressostat empty | 11.180 |

| Current path | Contact box | Contact pos. | Contact number |
|--------------|-------------|--------------|-----------------|
| R10 | A 7 | 01 | Door lock |
| R13 | A 1 | 1 | Lina |
| Ak | A 12 | 2 | Full pressostat |
| C22 | B 3 | 3 | Spin |
| C18 | B 1 | 4 | E.V. |
| C14 | B 2 | 4 | Half load |
| B22 | B 13 | 4 | Pump |
| B22 | B 13 | 5 | Fill level |
| B22 | B 13 | 6 | Pump in stop |
| B22 | C 3 | 6 | Normal rhythm |
| B22 | C 7 | 6 | Slow rhythm |
| B22 | C 1 | 7 | Direct timer |
| B22 | C 12 | 8 | Heating |
| B22 | C 11 | 8 | Capacitor wash |
| B22 | C 11 | 8 | Capacitor spin |
| B22 | D 7 | 9 | Slow rhythm |
| B22 | D 1 | 10 | Washing right |
| B22 | D 2 | 10 | Washing left |
| B22 | D 12 | 11 | Washino |
| B22 | D 11 | 11 | Spin |

Circuit diagram



- C capacitor
- DP drain pump
- DSS door safety switch
- HE heating element
- IC interference capacitor
- M motor drive
- PL pilot lamp
- PR pressostat
- SH-L switch, half load
- SM switch, mains
- SNS switch, no spin
- SRS switch, rinse stop
- TH thermostat, variable
- TI timer
- TIM timer motor
- V valve

Wiring diagram

