

**NAD** **SERVICE**  
**MANUAL**

**3220PE**  
**3020e**

**INTEGRATED AMPLIFIERS**

## ALIGNMENT METHOD

### AUDIO SECTION 3220PE/3020e

#### IMPORTANT

Speaker impedance switch should be in 8 ohm position while adjust center voltage and idling current.

#### INITIAL ADJUSTMENT (No load connected)

##### A. CENTER VOLTAGE

1. Connector DC millivoltmeter to L channel output terminal.
2. Turn on and adjust to 0 V+/-30mV with R411(100 ohm). Connect DC millivoltmeter to R channel output terminal and adjust R412 to 0 V+/-30mV.

##### B. IDLING CURRENT

1. Remove solder short across R455 and R456.
2. Connect DC millivoltmeter across R455 (1 ohm) (output transistor's collector resistor) and adjust R443 for 26-30mV reading on meter. Repeat adjustment with R444, connecting meter across R456 (1 ohm).
3. Leave power on for minimum 5 minutes.

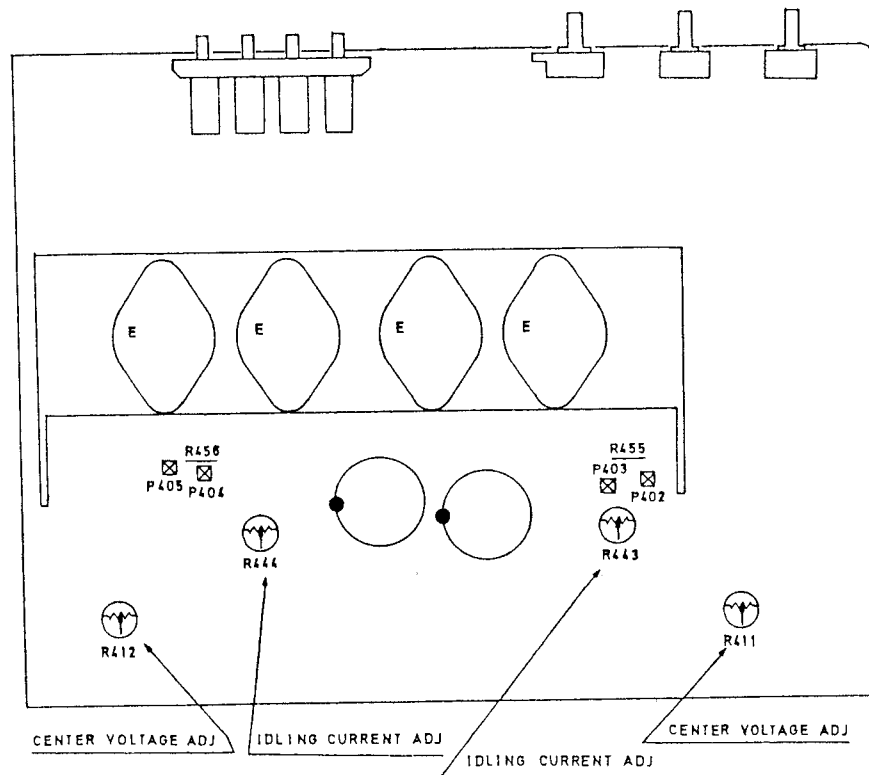
#### FINAL ADJUSTMENT

##### C. CENTER VOLTAGE

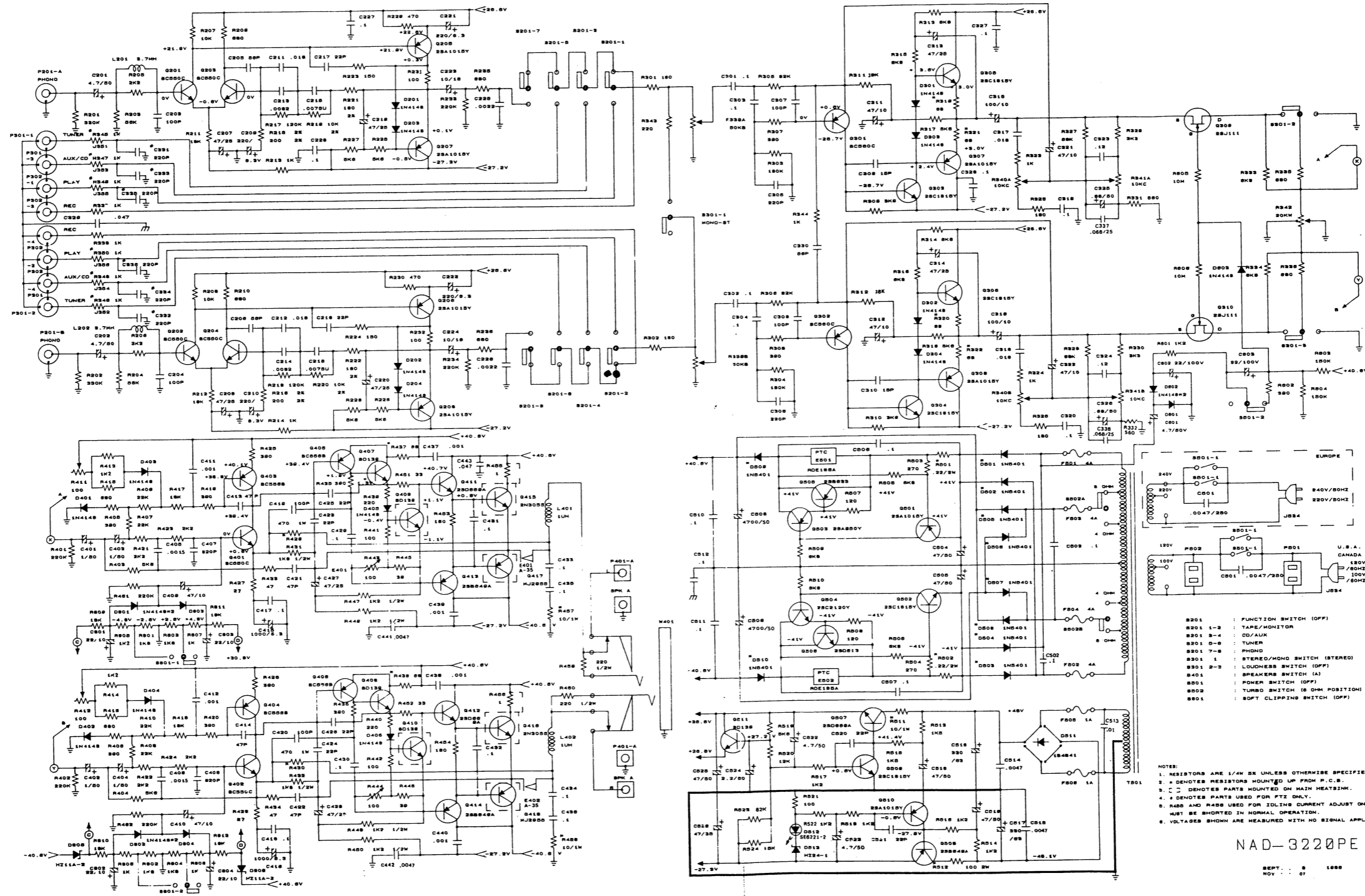
1. Repeat step A about.

##### D. IDLING CURRENT

1. Repeat step B and adjust with R443,R444 for 30mV reading on meter.
2. After the alignment is finished, 1 ohm resistor R455,R456 is shorted by solder short.



# SCHEMATIC DIAGRAM NAD3220PE AMPLIFIER



- 2N3055
- MJ2955
- 2S1111
- 2SA950
- 2SA1015
- 2SC1815
- 2SC2120
- 2SB669
- 2SD449
- BD139
- BC550C
- BC556B
- BC560C
- DCE
- 2SB633
- 2SD613

- B201-1 : FUNCTION SWITCH (OFF)
- B201-1-2 : TAPE/MONITOR
- B201-1-4 : CD/AUX
- B201-1-8 : TUNER
- B201-1-8-8 : PHONO
- B201-1-1 : STEREO/PHONO SWITCH (STEREO)
- B201-1-2-3 : LOUDNESS SWITCH (OFF)
- B401 : SPEAKERS SWITCH (A)
- B501 : POWER SWITCH (OFF)
- B502 : TURBO SWITCH (8 OHM POSITION)
- B503 : SOFT CLIPPING SWITCH (OFF)

NOTES:  
 1. RESISTORS ARE 1/4W UNLESS OTHERWISE SPECIFIED.  
 2. \* DENOTES RESISTORS MOUNTED UP FROM P.C.B.  
 3. C \* DENOTES PARTS MOUNTED ON MAIN HEATSHINK.  
 4. † DENOTES PARTS USED FOR FTZ ONLY.  
 5. R48D AND R48B USED FOR IDLING CURRENT ADJUST ONLY  
 MUST BE SHORTED IN NORMAL OPERATION.  
 6. VOLTAGES SHOWN ARE MEASURED WITH NO SIGNAL APPLIED.

NAD-3220PE

SEPT. 8 1988  
 NOV. 81